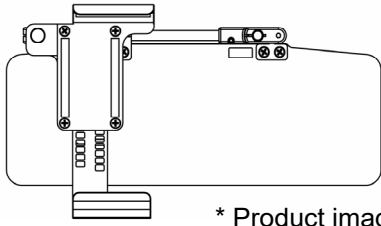


Your Kit Includes

(1) InSight Visor Assembly



One or both of the following Part Numbers:

R2201500-1 - Left side, Shown
R2201500-2 - Right side, Opposite

(1) 3/32" Hex Key

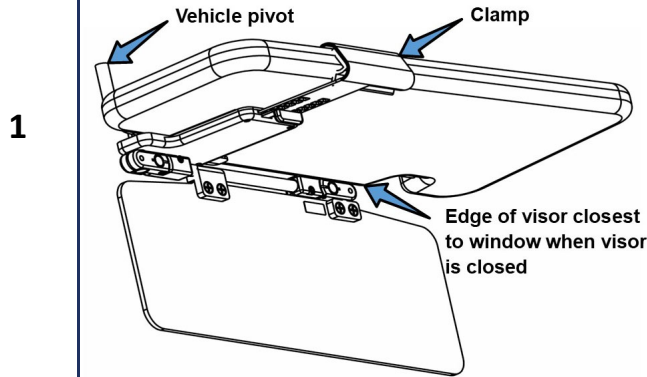


* Product images are for illustrative purposes only and may differ from the actual product.

Steps

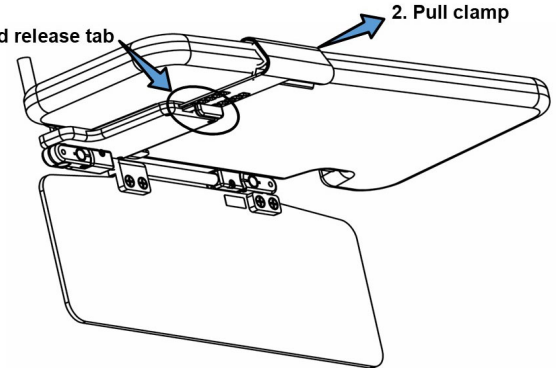
Installation Instructions

To install visor: Hook front edge of InSight visor onto vehicle's front edge of visor closest to the windshield and press clamp firmly into place. Left side shown.



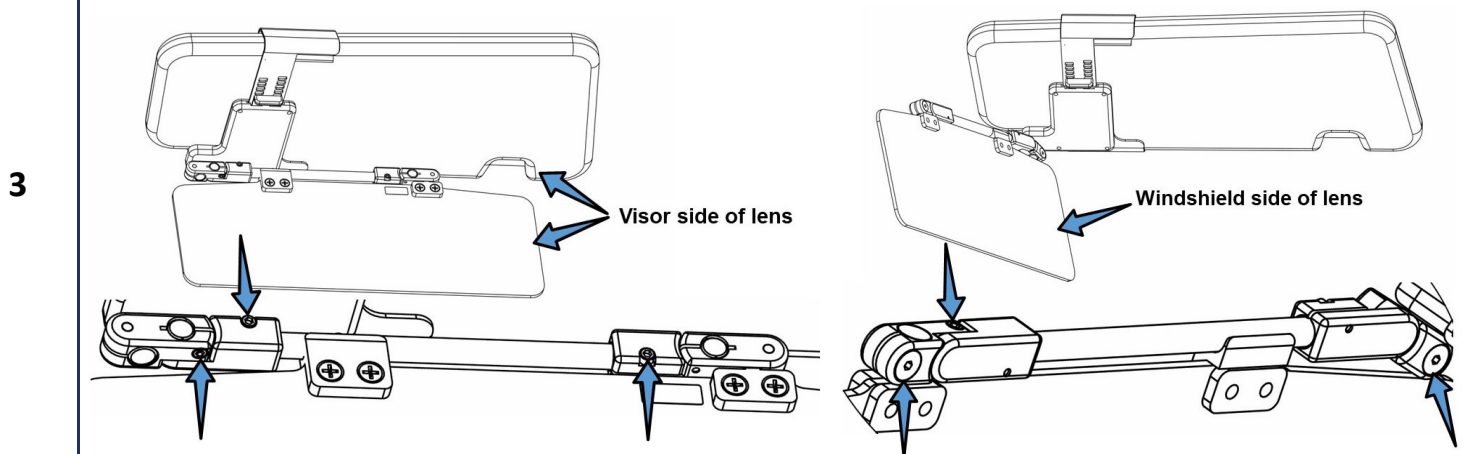
To remove visor:

1. Press and hold release tab 2. Pull clamp



Note: You may need to push the clamp forward to release tension while pressing the release tab.

Prior to use: Adjust all six tension points shown below with a 3/32" Hex Key until the visor feels secure, but is still maneuverable. Turn clockwise to tighten, counter clockwise to loosen.

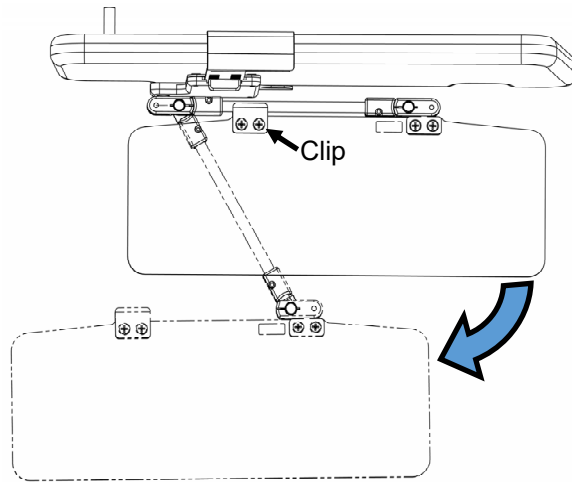


Maintenance:

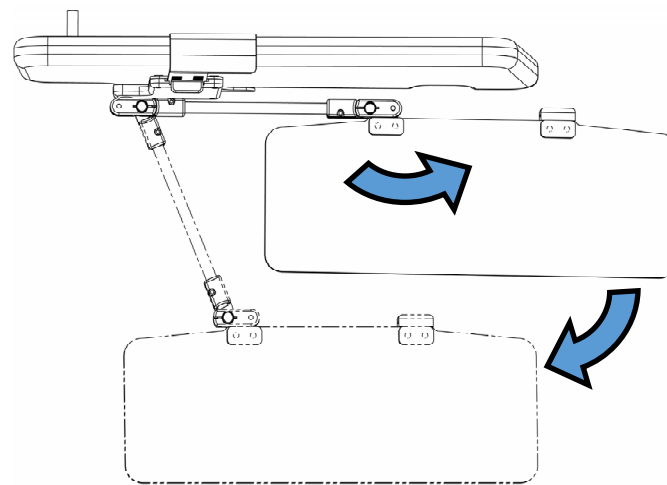
- 4**
- Clean lenses with mild soap & water or Rosen Lens Cleaner (PN R9000500).
 - Do not use ammonia-based products or abrasives to clean lenses.
 - Use a lint free or microfiber cloth.
 - Check the tension of the pivot joints periodically and tighten if necessary.

Congratulations on your new visor!

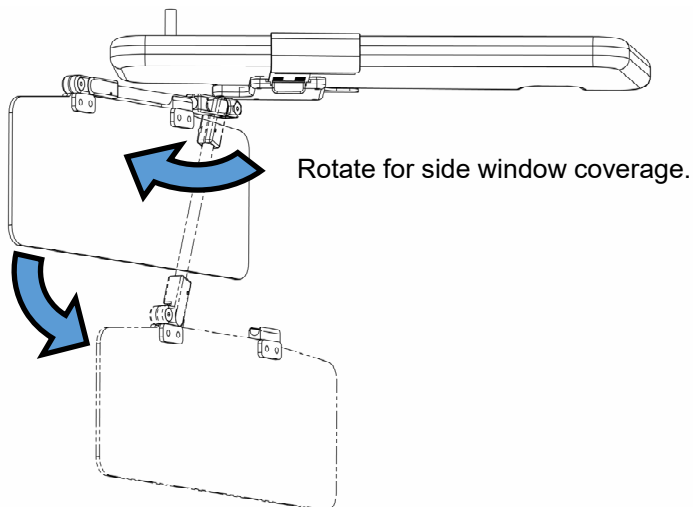
Visor Position Options



Unclip & pull down for lowered coverage.
May also be positioned closer to the windshield to achieve coverage.



Unclip & flip for more coverage
at center of windshield



Rotate for side window coverage.