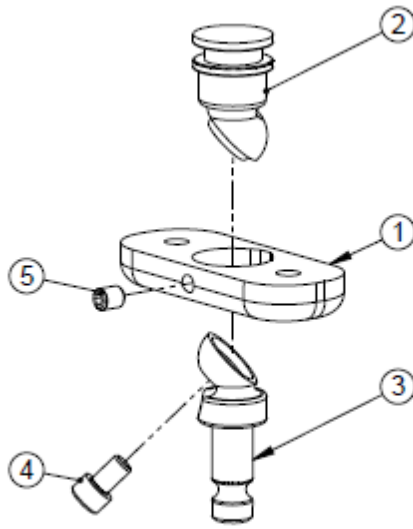
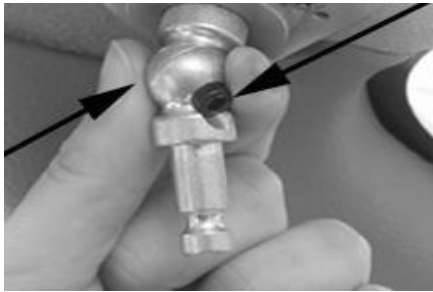


ASSEMBLED

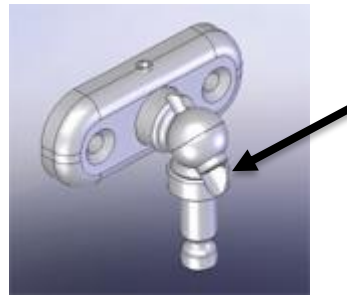


EXPLODED

To adjust angle of mounting post, loosen set screw to allow rotation of the ball controlling angle.



The objective is to achieve a vertical swivel post.



In order to get this result, you may have to loosen the set screw for the upper portion of the swivel post (item 5 in the exploded drawing above) to allow for its rotation as well.

Once the correct angle has been achieved, the block attached to the remainder of the visor assembly can slide onto the now vertical post and the set screw and washer inserted and tightened.

